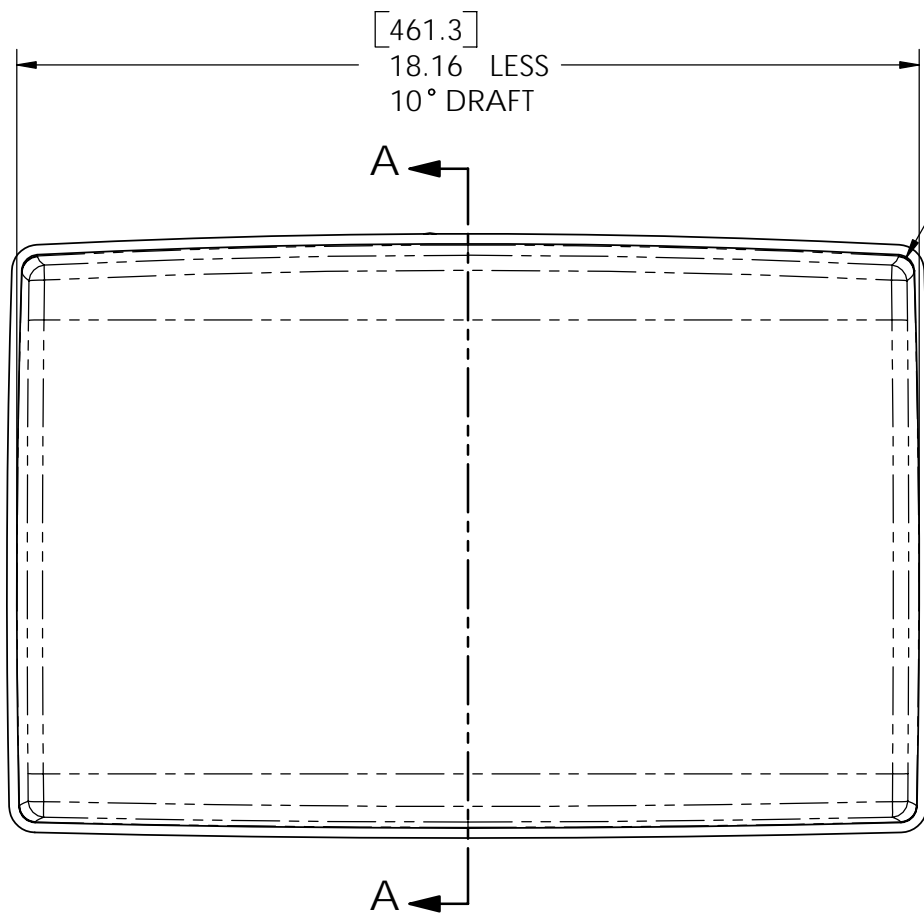


1490

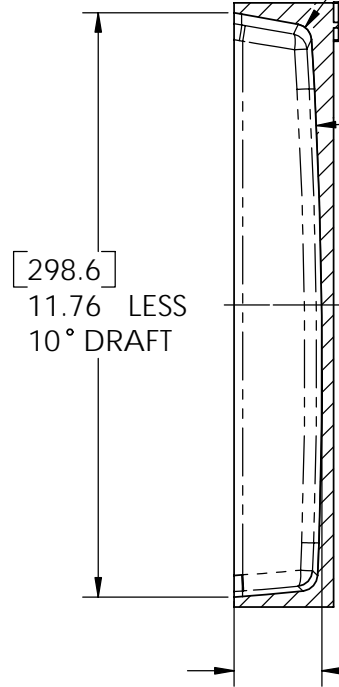
REVISIONS				
REV.	DESCRIPTION	DATE	DRFTR	APPRVD



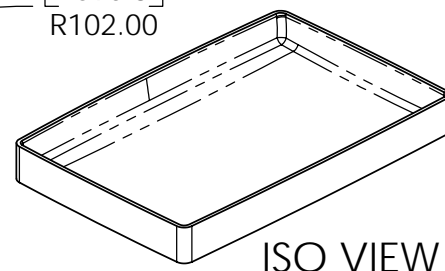
4X

TRUE R.33 [8.4]

[8.6] R.34



[2590.8] R102.00



SECTION A-A  
SCALE 1 : 2.5

1. ALL DIMENSIONS ARE TO INTERNAL GEOMETRY OF CASE.  
NOTES: UNLESS OTHERWISE SPECIFIED.



UNSPECIFIED TOLERANCES		APPROVALS DATE		<b>PELICAN PRODUCTS INC.</b> 23215 EARLY AVE., TORRANCE, CA 90505 (310) 326-4700		
DESIGN				TITLE 1490 CUBE CASE, TOP INTERNAL GEOMTREY		
CHECKED						
APPROVED						
This Drawing contains information proprietary to Pelican Products Inc. any reproduction disclosure or use of this drawing requires written permission of Pelican Products Inc.		SIZE <b>B</b>	SCALE	DRAWING NO. 1490	REV PR	
DO NOT SCALE DRAWING					SHEET	OF