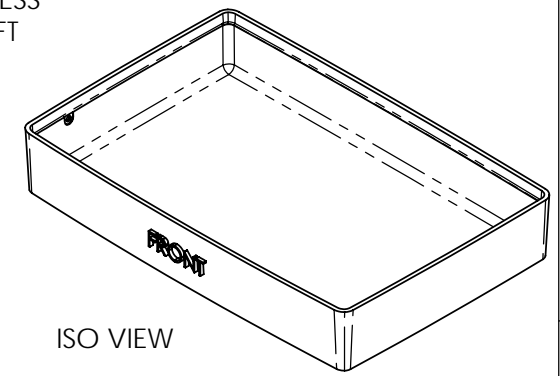
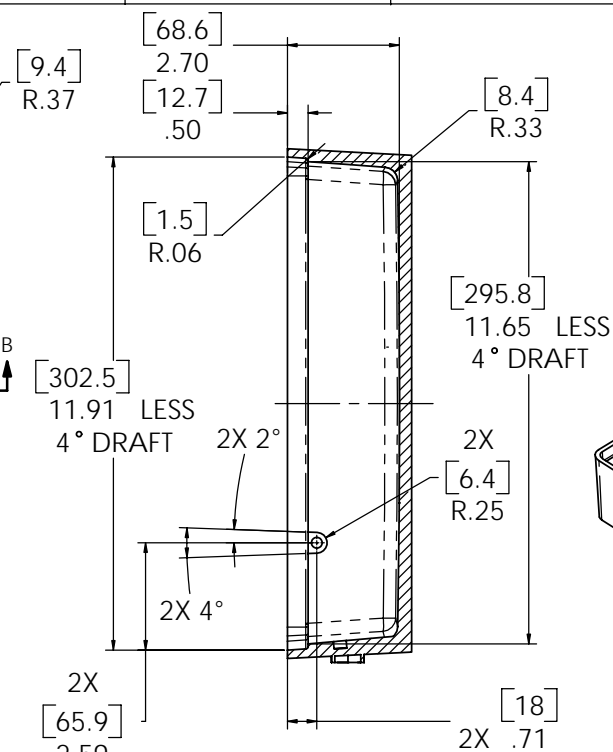
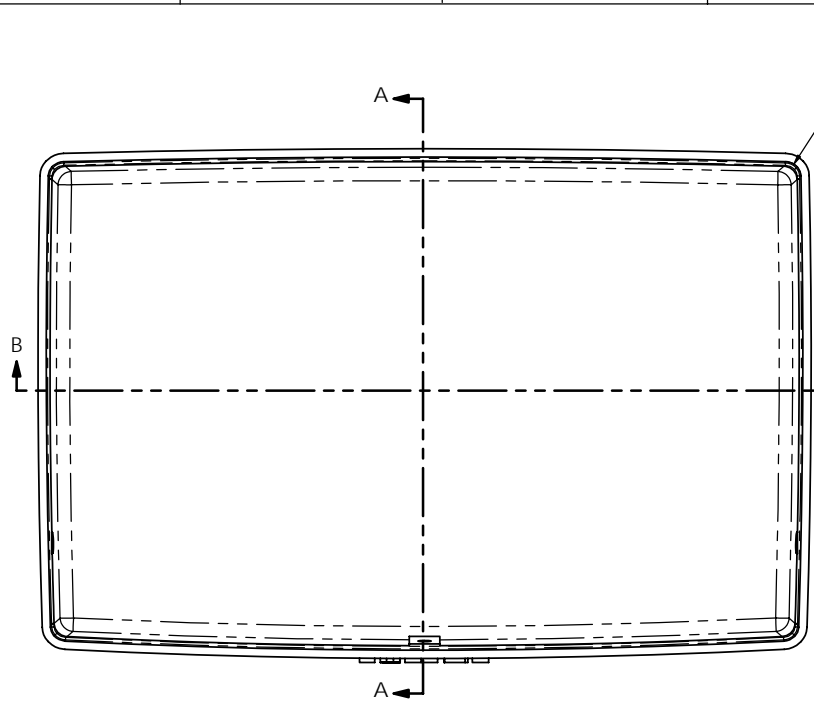
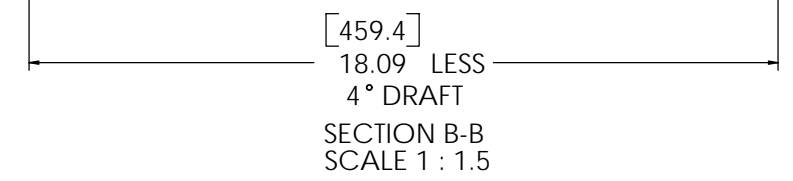
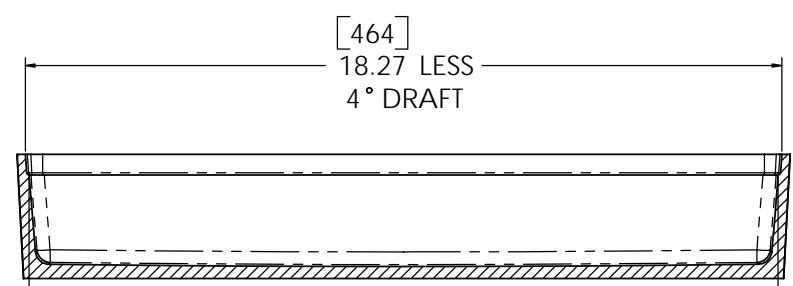


1490				
REVISIONS				
REV.	DESCRIPTION	DATE	DRTR	APPRVD



SECTION A-A
SCALE 1 : 1.5



SECTION B-B
SCALE 1 : 1.5

1. ALL DIMENSIONS ARE TO INTERNAL GEOMETRY OF CASE.
NOTES: UNLESS OTHERWISE SPECIFIED.



UNSPECIFIED TOLERANCES	APPROVALS	DATE	PELICAN PRODUCTS INC. 23215 EARLY AVE., TORRANCE, CA 90505 (310) 326-4700	
	DATE		TITLE	1490 LAPTOP CASE, BOTTOM INTERNAL GEOMETRY
	APPROVED		SIZE	D
			SCALE	1:1
			DRAWING NO.	1490
			PR	1 OF 1

The Drawing contains information proprietary to Pelican Products Inc. Any reproduction, disclosure or use of this drawing requires written permission of Pelican Products Inc.

DO NOT SCALE DRAWING