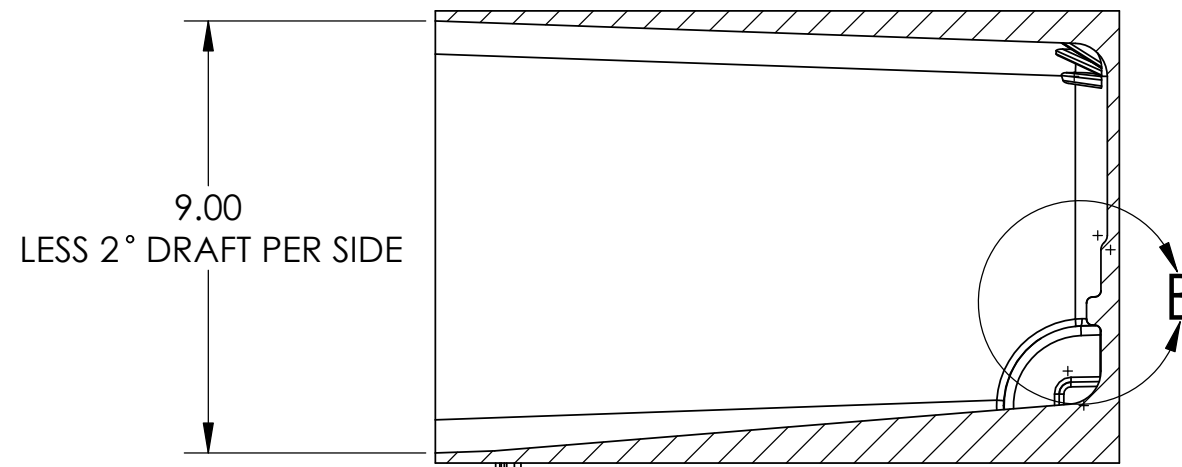
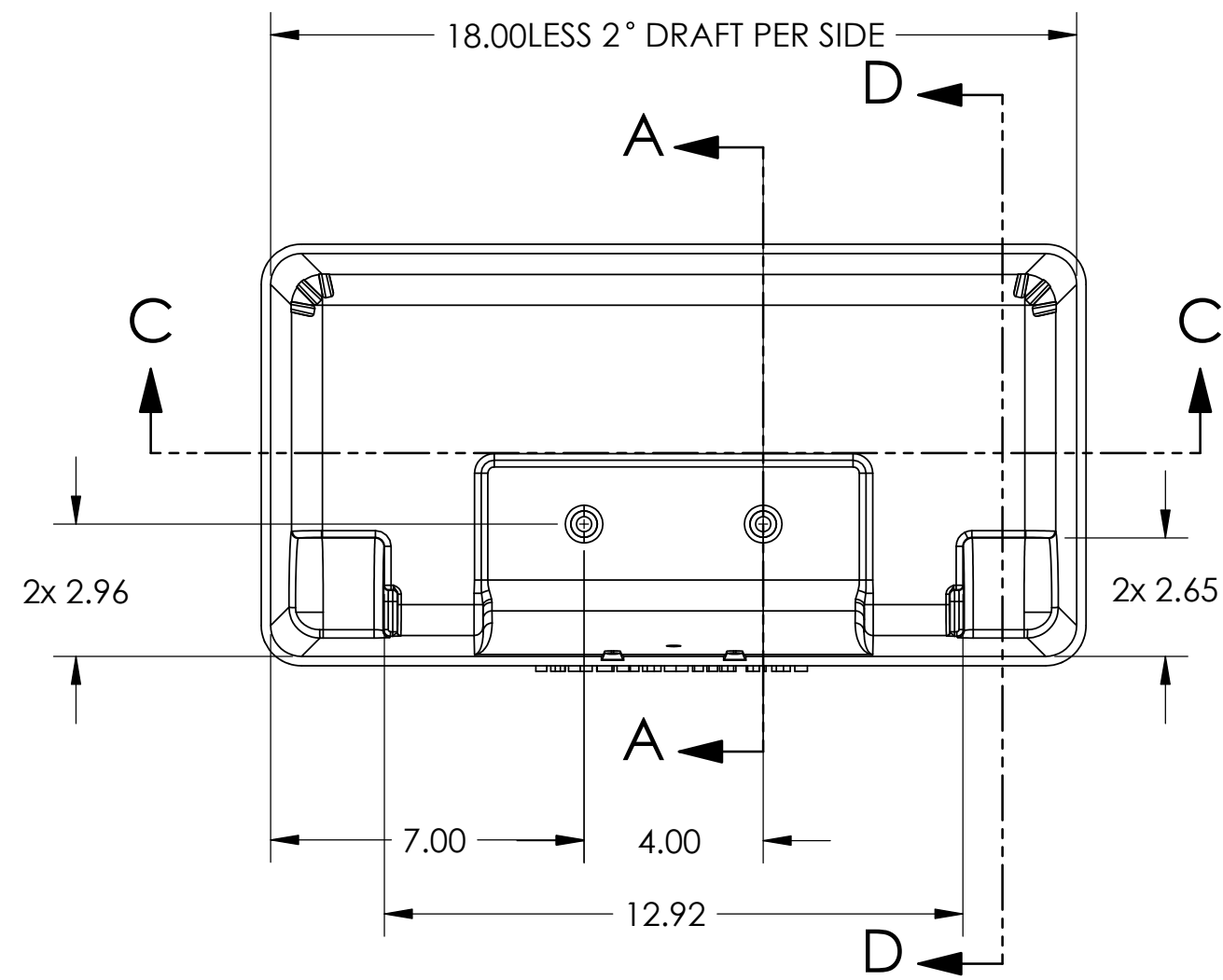
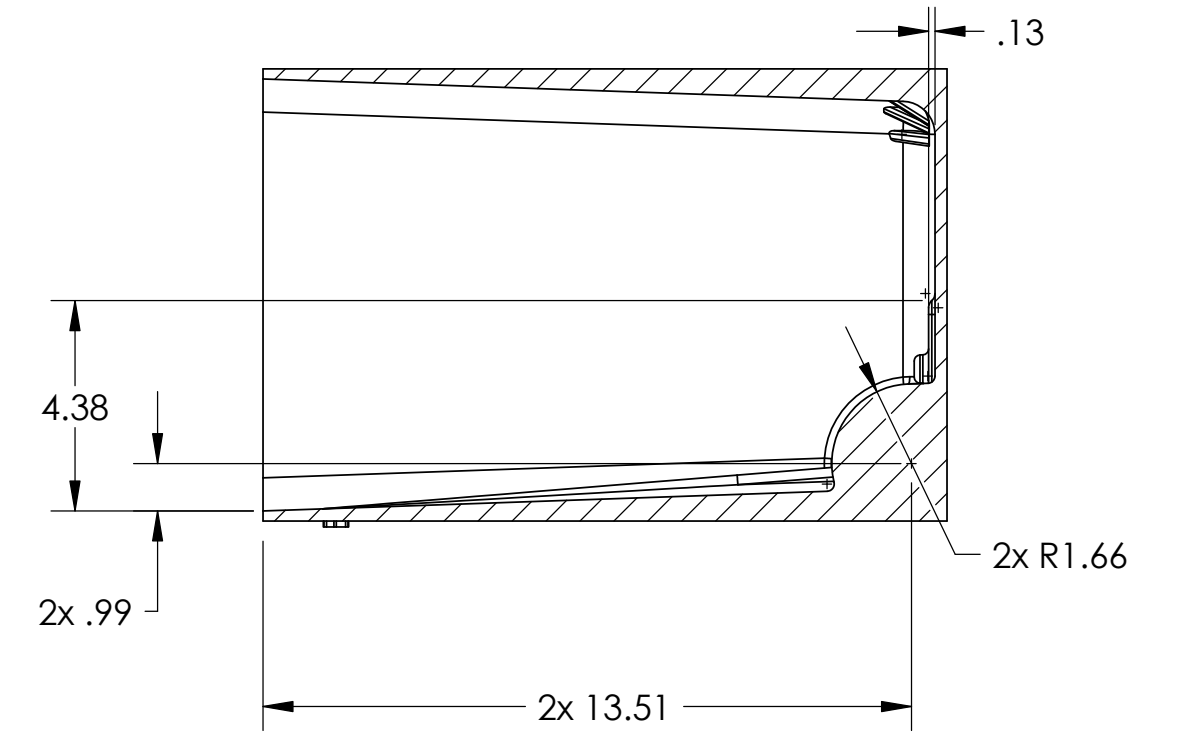


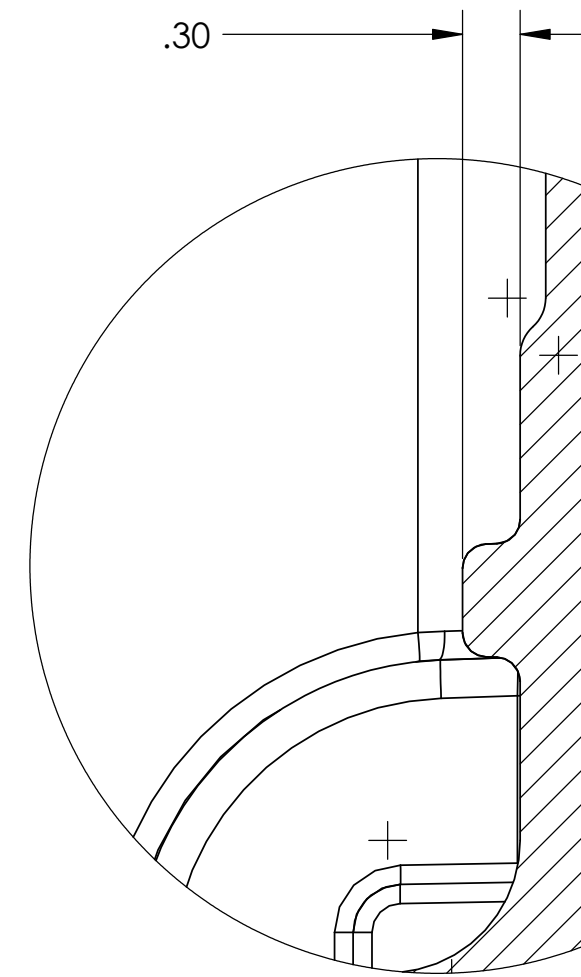
REVISIONS			
LTR	DESCRIPTION	DATE	APPROVED



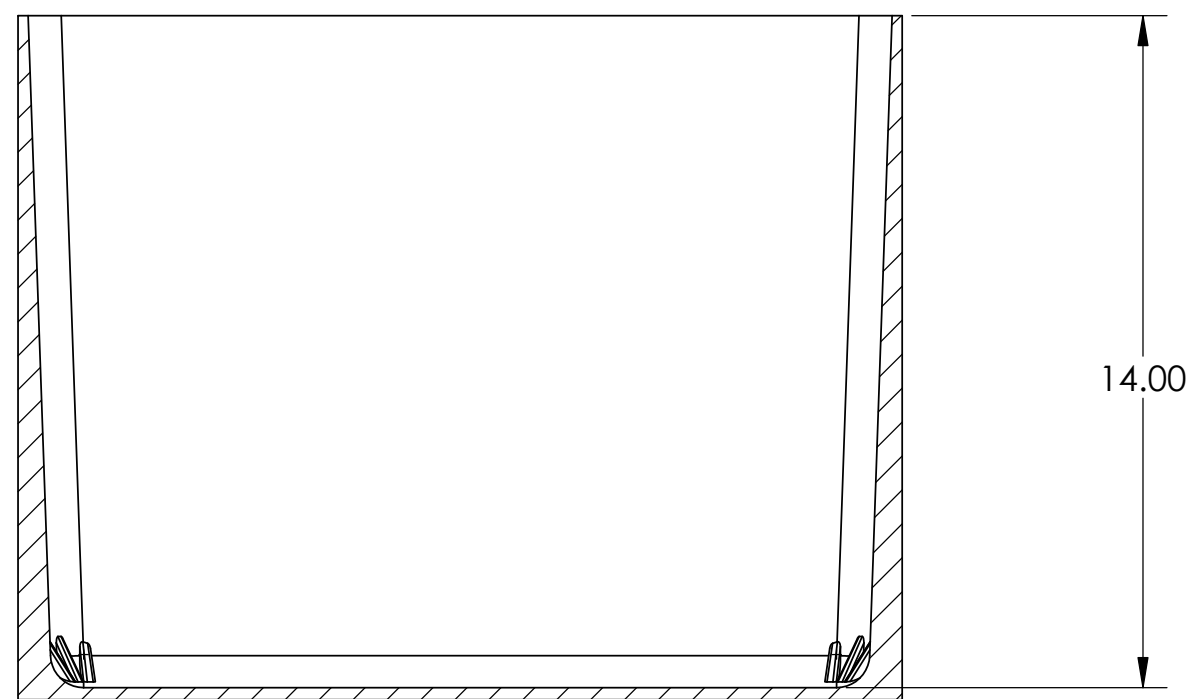
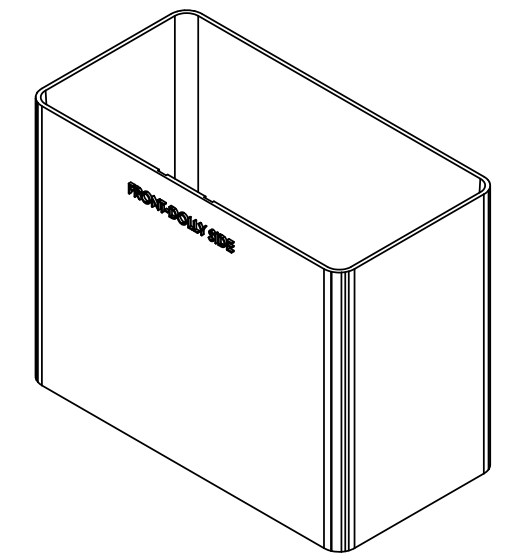
SECTION A-A



SECTION D-D



DETAIL B
SCALE 1 : 1



SECTION C-C

1. ALL DIMENSIONS ARE TO INTERNAL GEOMETRY OF CASE.
NOTES: UNLESS OTHERWISE SPECIFIED.



UNSPECIFIED TOLERANCES	APPROVALS	DATE	PELICAN PRODUCTS, INC.				
	DESIGN		23215 EARLY AVE., TORRANCE, CA 90505 (310) 326-4700				
	CHECKED		TITLE 1440 CASE BOTTOM INTERNAL GEOMETRY				
	APPROVED		SIZE	SCALE	DRAWING NO.	REV	
			C	1:4	1440_OEM_BOTTOM	PR	
This Drawing contains information proprietary to Pelican Products Inc. any reproduction disclosure or use of this drawing requires written permission of Pelican Products Inc.			DO NOT SCALE DRAWING				SHEET