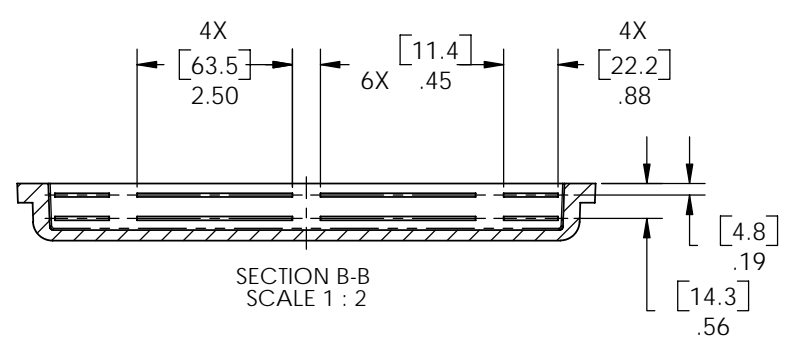
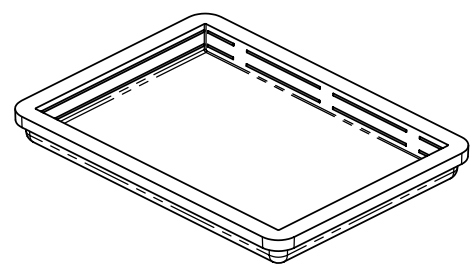
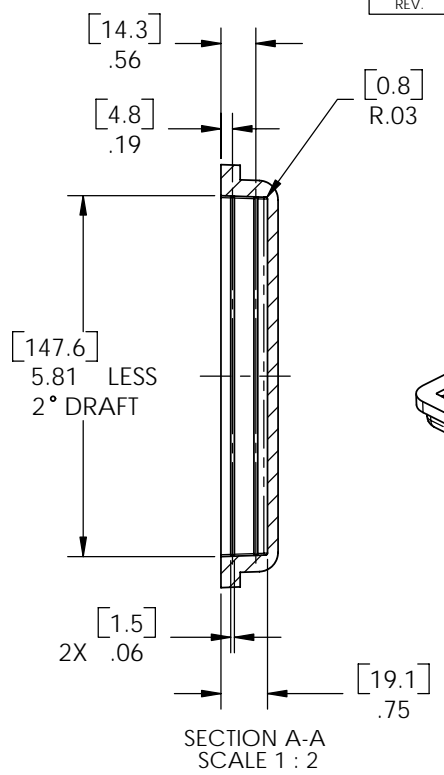
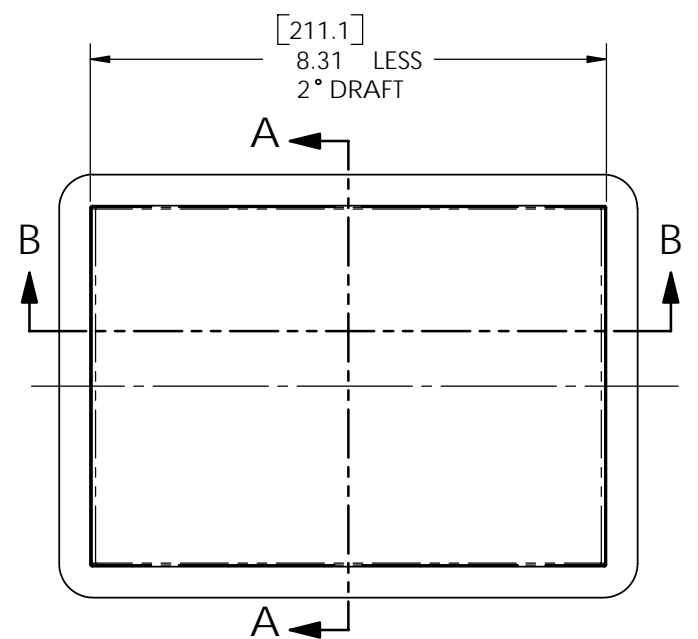


1150

REVISIONS				
REV.	DESCRIPTION	DATE	DRFTR	APPRVD



1. ALL DIMENSIONS ARE TO INTERNAL GEOMETRY OF CASE.
 NOTES: UNLESS OTHERWISE SPECIFIED.



UNSPECIFIED TOLERANCES	APPROVALS	DATE	PELICAN PRODUCTS INC.		
	DESIGN		23215 EARLY AVE., TORRANCE, CA 90505 (310) 326-4700		
	CHECKED		TITLE		
	APPROVED		1150 CUBE CASE, TOP INTERNAL GEOMETRY		
This Drawing contains information proprietary to Pelican Products Inc. any reproduction disclosure or use of this drawing requires written permission of Pelican Products Inc.	SIZE	SCALE	DRAWING NO.	REV	
	B	1:1	1150	PR	
DO NOT SCALE DRAWING				SHEET	1 OF 1