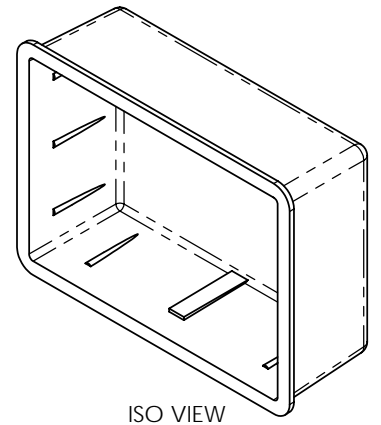
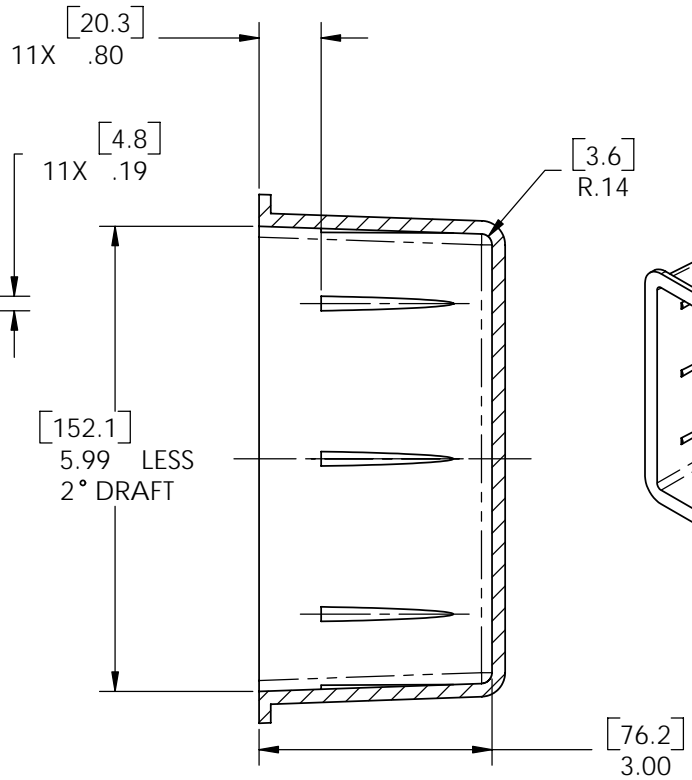
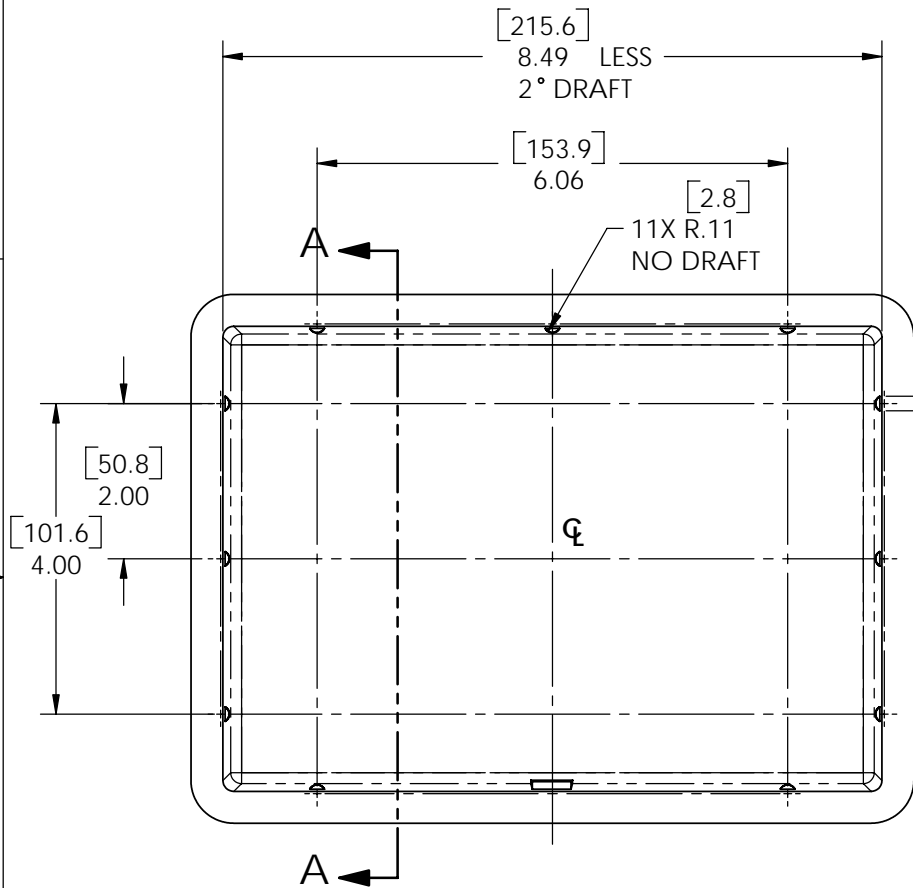


1150

REVISIONS				
REV.	DESCRIPTION	DATE	DRFTR	APPRVD



1. ALL DIMENSIONS ARE TO INTERNAL GEOMETRY OF CASE.  
 NOTES: UNLESS OTHERWISE SPECIFIED.



UNSPECIFIED TOLERANCES: SECTION A-A SCALE 0.625		APPROVALS DATE	<b>PELICAN PRODUCTS INC.</b> 23215 EARLY AVE., TORRANCE, CA 90505 (310) 326-4700		
DESIGN			TITLE 1150 CASE LINER, BOTTOM INTERNAL GEOMETRY		
CHECKED			SIZE <b>B</b>	SCALE 1:1	DRAWING NO. 1150
APPROVED			REV PR	DO NOT SCALE DRAWING	
This Drawing contains information proprietary to Pelican Products Inc. any reproduction disclosure or use of this drawing requires written permission of Pelican Products Inc.			SHEET 1 OF 1		