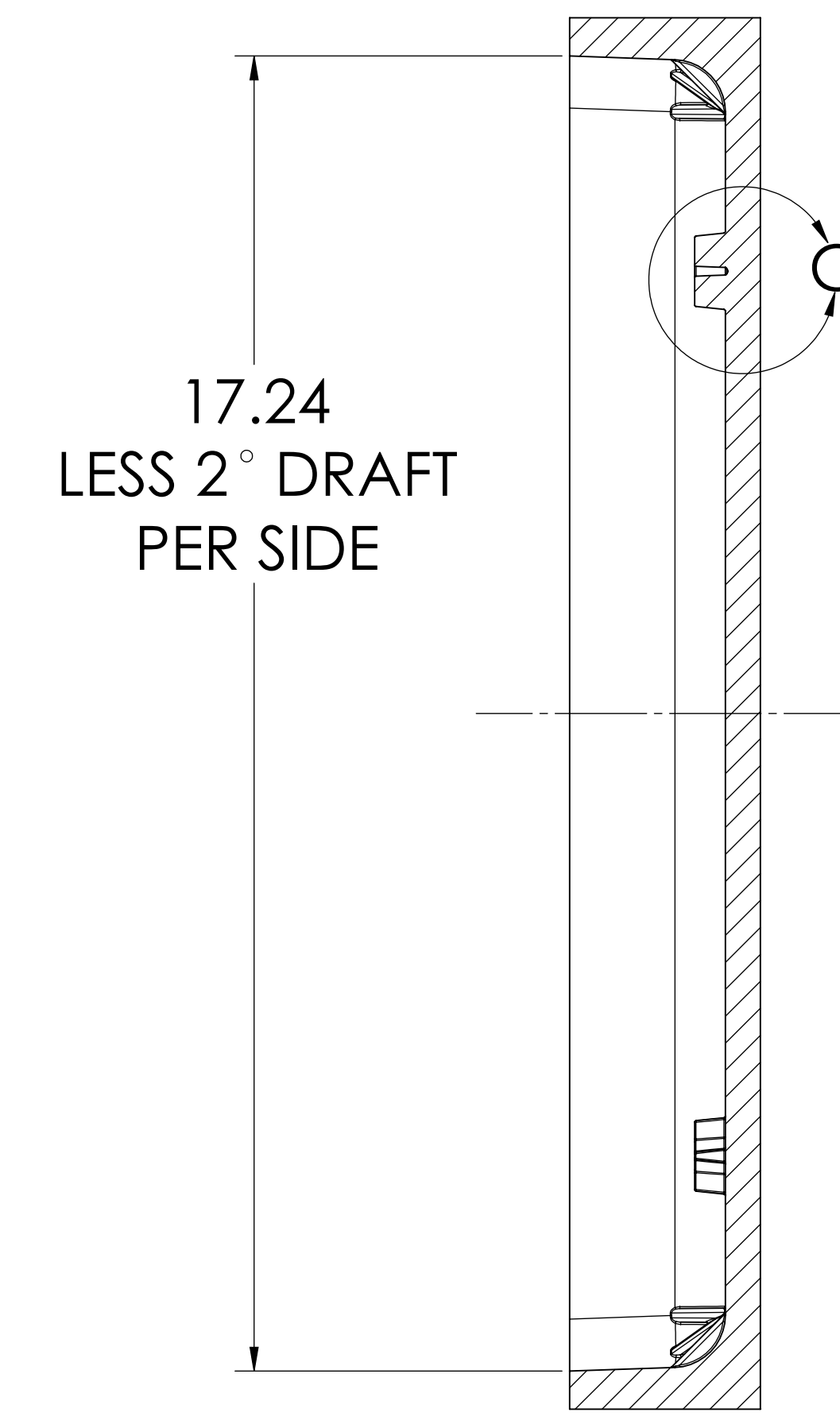
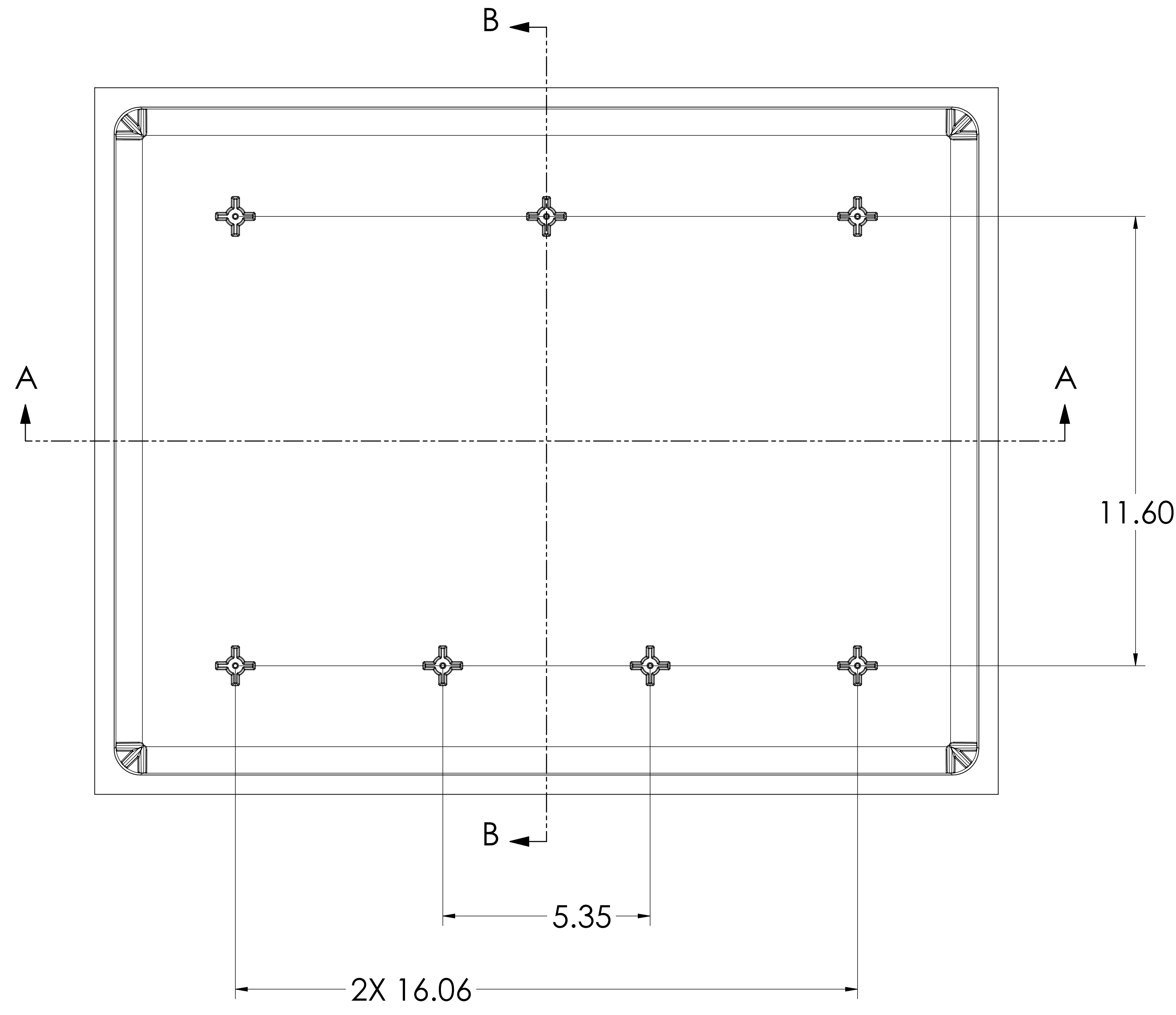
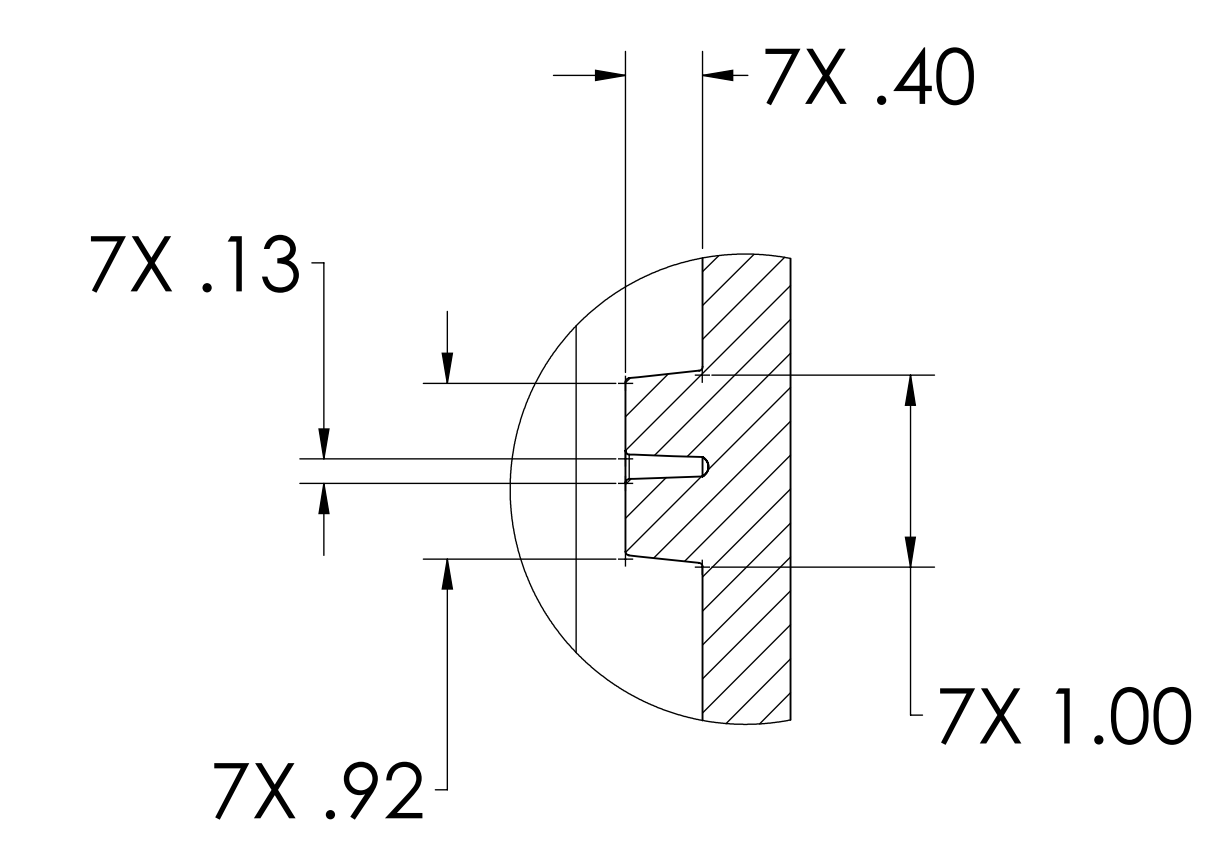


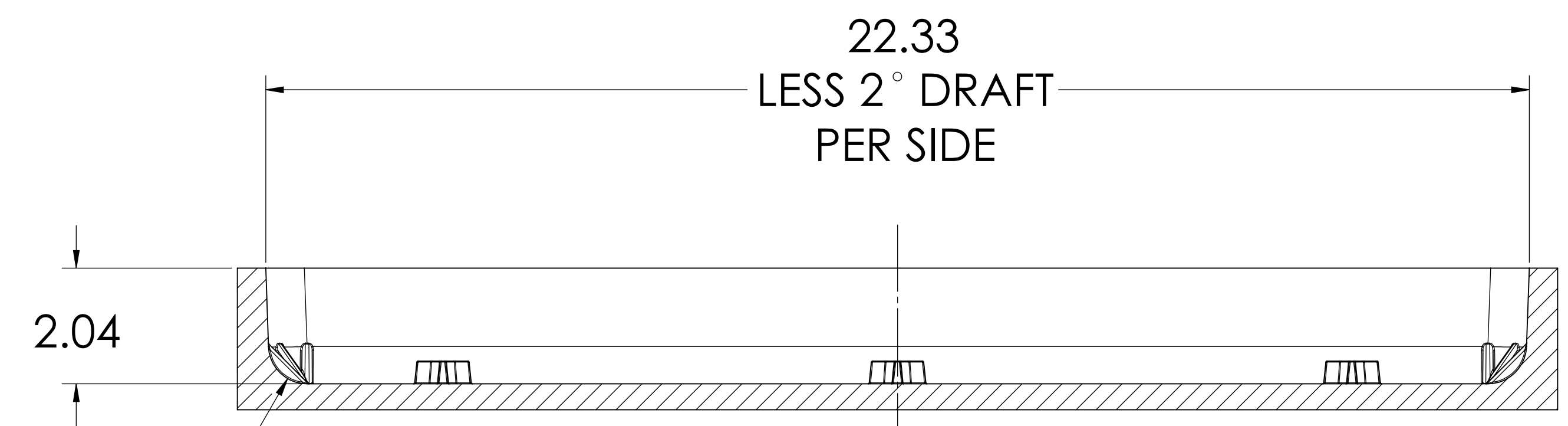
REVISIONS					
REV.	DESCRIPTION	ECO	DATE	DRAFTER	APPROVED
PR	OEM DRAWING RELEASE		6.25.08	DA	BT



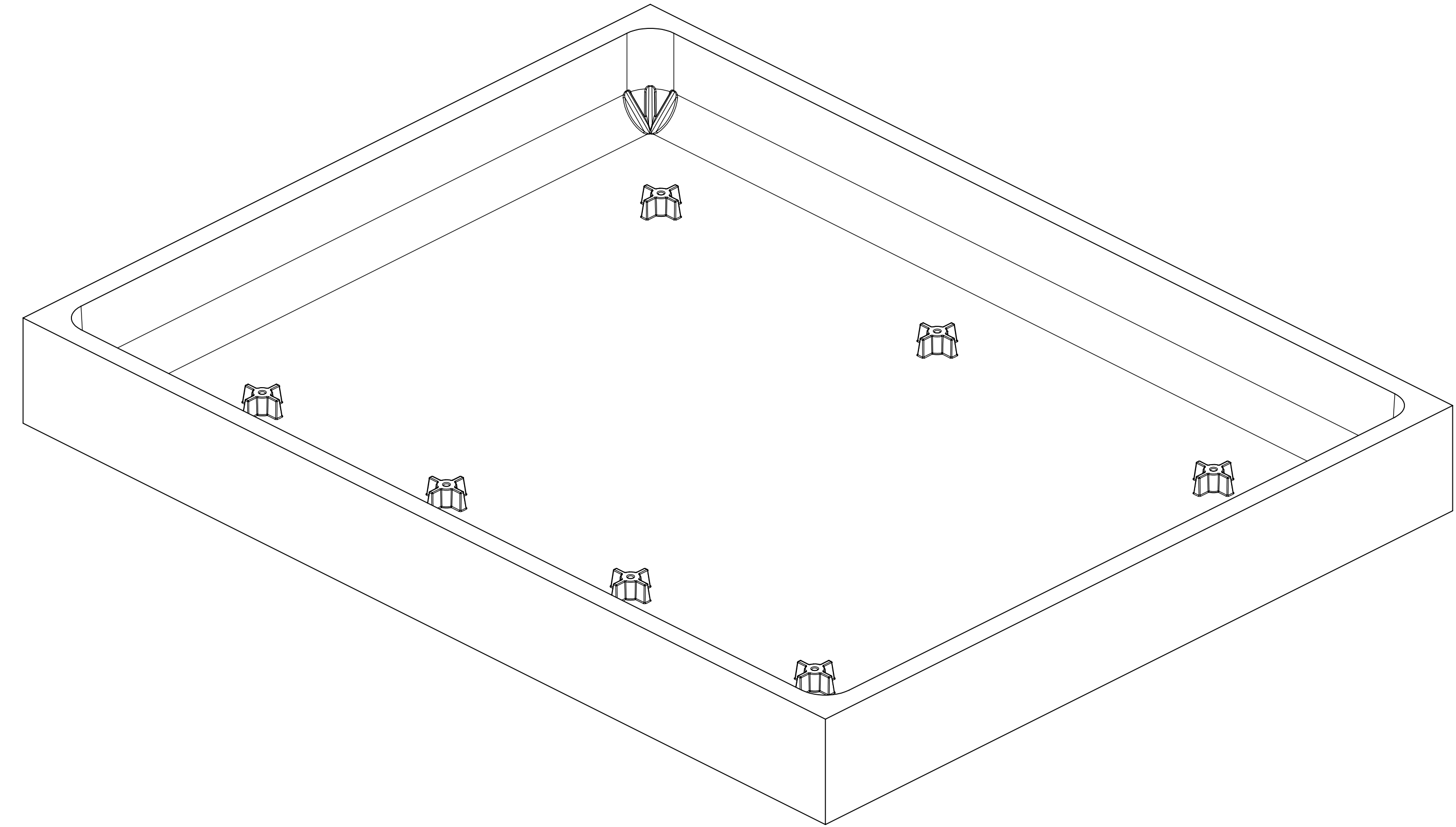
SECTION B-B



DETAIL C
SCALE 1:1



SECTION A-A



ALL DIMENSIONS ARE TO INTERNAL GEOMETRY OF CASE.
NOTES: UNLESS OTHERWISE SPECIFIED.

<p>PELICAN UNLESS OTHERWISE SPECIFIED THIS DRAWING CONTAINS INFORMATION PROPERTY OF PELICAN PRODUCTS INC. ALL RIGHTS RESERVED. REPRODUCTION OR TRANSMISSION IN ANY FORM OR BY ANY MEANS WITHOUT THE WRITTEN PERMISSION OF PELICAN PRODUCTS INC.</p>	APPROVALS DATE CHECKED: _____ APPROVED: _____	DATE: 6/25/08 TITLE: 1610 CASE TOP, INTERNAL GEOMETRY DRAWING NO.: 1612-931T-CLR SHEET 1 OF 1	PELICAN PRODUCTS INC. 23215 EARLY AVE., TORRANCE, CA 90505 (310) 326-4700
	SIZE: E SCALE: 1:2	REV: PR	DO NOT SCALE DRAWING

1611-931T-CLR 00