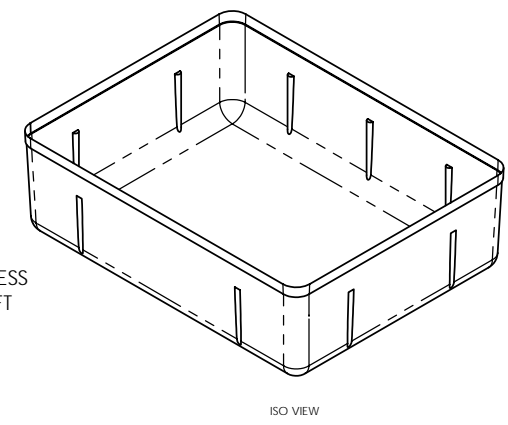
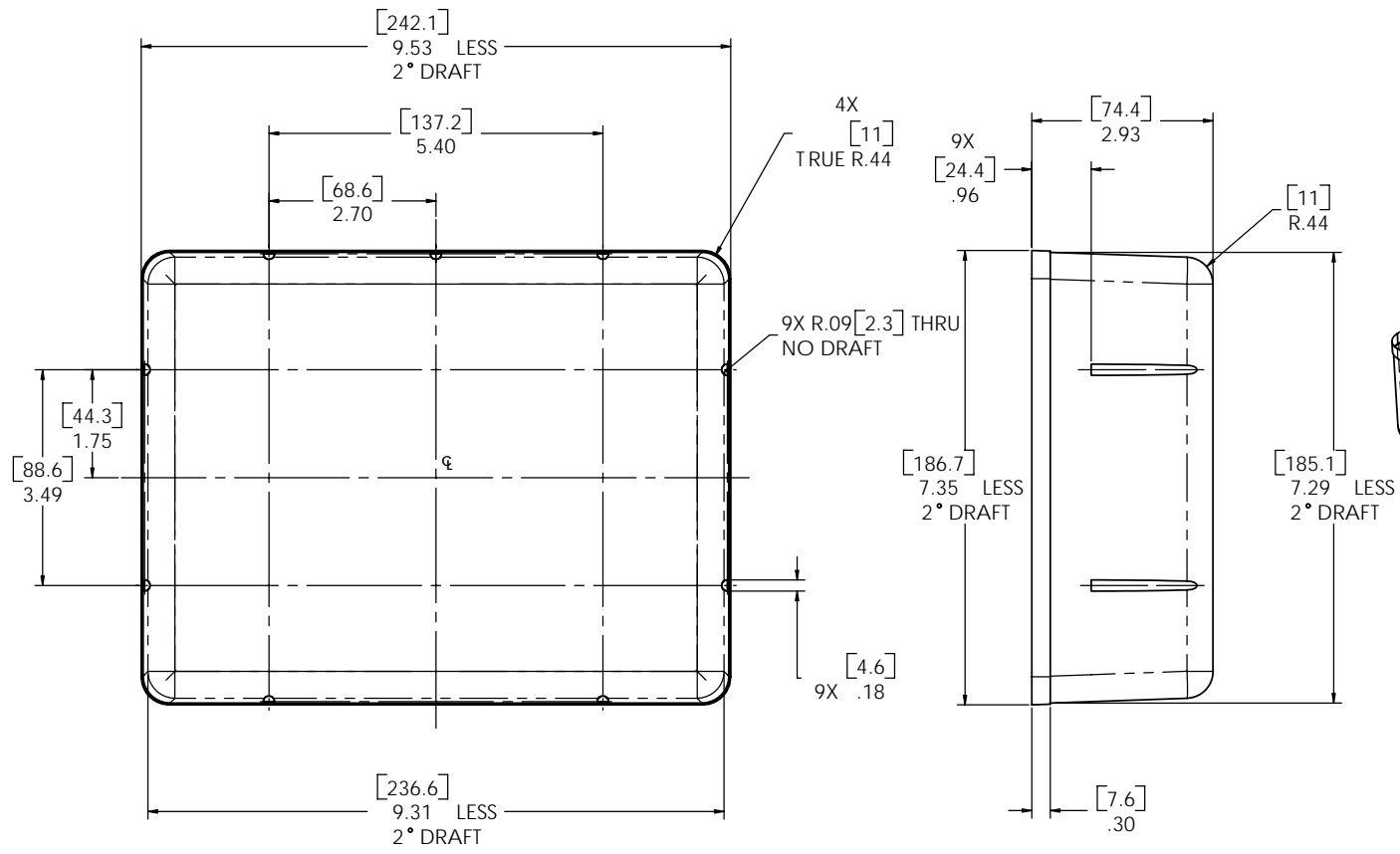



| | | | | |
|------|-------------|-----------|------|--------|
| 1200 | | REVISIONS | | |
| REV. | DESCRIPTION | DATE | DRTR | APPROV |



1. ALL DIMENSIONS ARE TO INTERNAL GEOMETRY OF CASE.
 NOTES: UNLESS OTHERWISE SPECIFIED.

| | | | | |
|---|---|--|---|--------------|
|  <p>PELICAN You break it, we replace it... forever.</p> | UNSPECIFIED TOLERANCES | APPROVALS DATE | PELICAN PRODUCTS INC. 23215 EARLY AVE., TORRANCE, CA 90505 (310) 326-4700 | |
| | <small>The Drawing contains information proprietary to Pelican Products Inc. Any reproduction, disclosure or use of this drawing requires written permission of Pelican Products Inc.</small> | TITLE 1200 CASE LINER, BOTTOM INTERNAL GEOMETRY | SIZE D | SCALE 1:1 |
| DO NOT SCALE DRAWING | | 1 OF 1 | 1 OF 1 | PR |